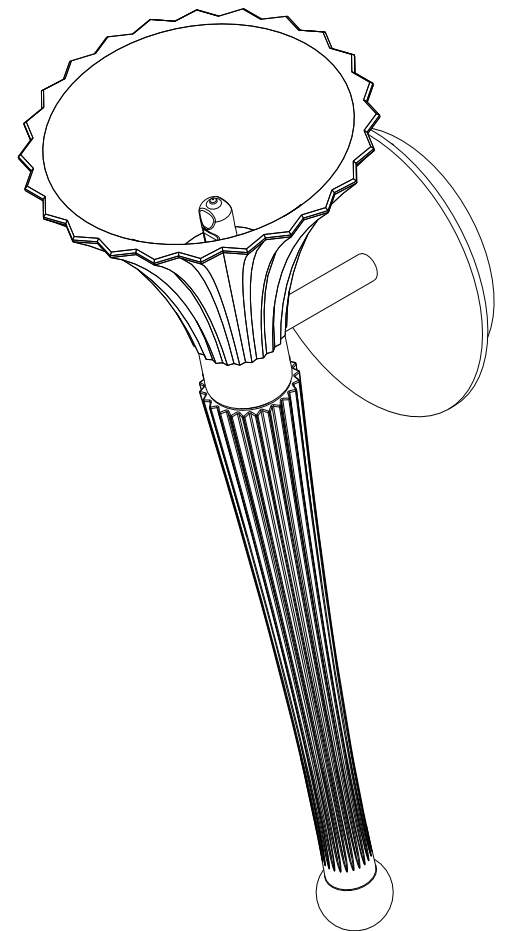
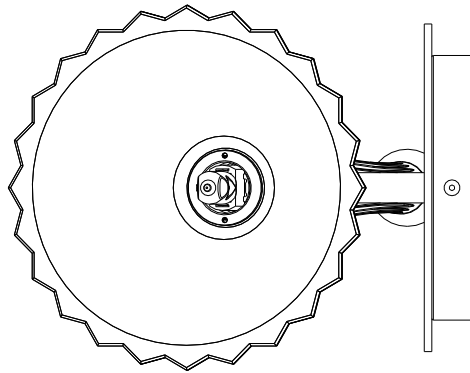
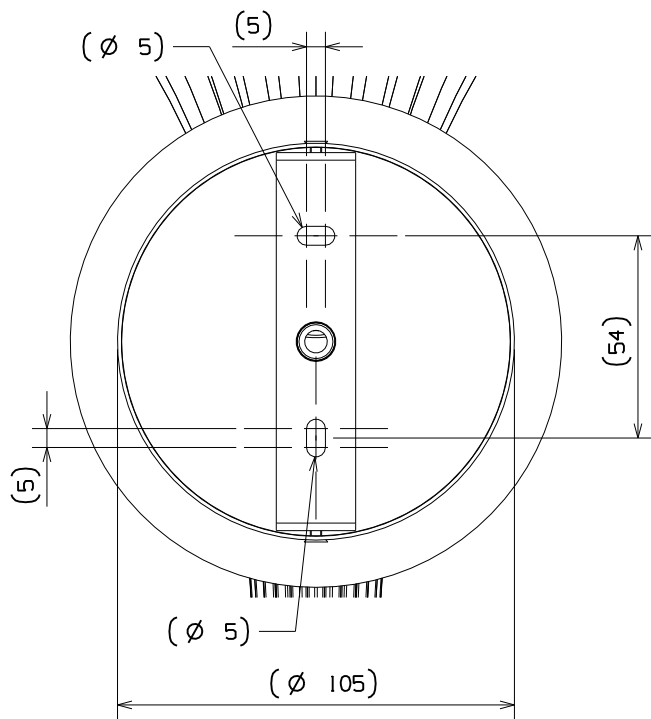


Detail systeme de fixation  
Echelle 1:2



*Baccarat*  
MILLE NUITS 2606397  
MILN-APPL TORCHERE JET

60W  
100-127V~ 50/60Hz  
- G9 1 X MAX 60W

IP20  
ta: 25°C

Manufactured by *Baccarat*  
54120 Baccarat FRANCE

CODE 2606397

Ech. Scale: 1/3	A3	POIDS / WEIGHT: 1.8kg	DATE: 15.12.10	FOLIO: 1/1
-----------------	----	-----------------------	----------------	------------

<i>Baccarat</i>	Siege Social et Manufacture / Head Office and Factory : 20, rue des cristalleries - 54120 BACCARAT Tel. +33 (0)3 83 76 60 06 Telecopie +33 (0)3 83 76 60 04	
-----------------	---	--

PLAN D'ENSEMBLE GLOBAL DRAWING:	NUMERO PLAN / DRAWING NUMBER: 146866
------------------------------------	---

MILN APPL TORCHERE JETRO  
"MILLE NUITS"